



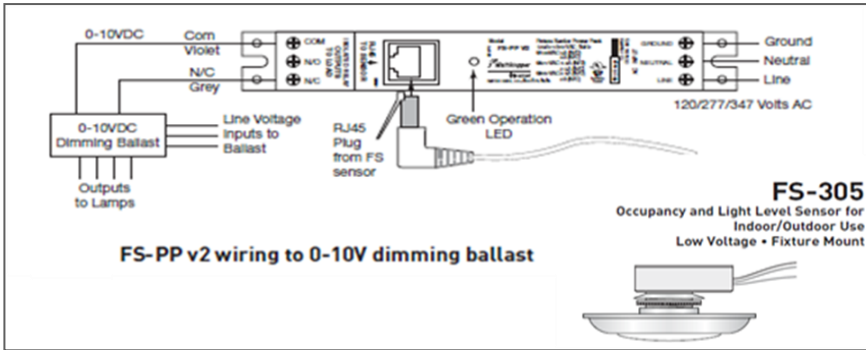
support documentation:  
**Approved Accessories**

### ANALOG DIMMERS - PRODUCTS

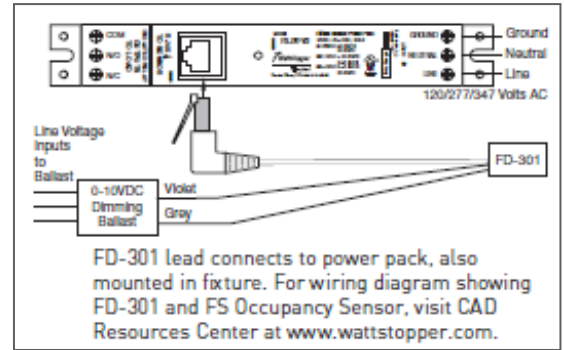
No.	Category	Company	Product Name	Voltage	Mounting	Application
1	Occupancy Sensor	WattStopper	FS-3x5 plus the FS-PP Fixture Power Pack and FS-C1 RJ45 cable	120/277/347 VAC	Fixture Mount	Outdoor & Wet Locations
2	Occupancy Sensor	WattStopper	HB 300DR plus the FS-PP Fixture Power Pack and FS-C2 stripped RJ45 cable	120/277/347 VAC	Fixture Mount	Indoor
3	Daylight Control Sensor	WattStopper	FD-301 pls the FS-PP Fixture Power Pack and FS-C1 RJ45 cable	120/277/347 VAC	Fixture Mount	Indoor
4	Passive Infrared Occupancy Sensor	WattStopper & McMaster-Carr Relay	HB 350W Plus HB L3W Lanes & 4766T12 relay	208-277 VAC	Fixture Mount	Outdoor & Wet Locations
5	Occupancy Sensor	SensorSwitch	CMR B9-D Mounting below 15ft CMR B6-D Mounting above 15ft	Line Voltage	Fixture Mount	Indoor
6	Occupancy Sensor	SensorSwitch	CMR 9-D Mounting below 15ft CMR 6-D Mounting above 15ft	Line Voltage	Ceiling Mount	Indoor
7	Daylight Control Sensor	SensorSwitch	CMR B-ADC	Line Voltage	Fixture Mount	Indoor
8	Daylight Control Sensor	SensorSwitch	CMR-ADC	Line Voltage	Ceiling Mount	Indoor
9	Occupancy Sensors & Daylight Control Sensor	Hubbell	HBAWASP2 & RIB RIBHIC-N4	208-277V	Fixture Mount	Outdoor & Wet Locations
10	Low-Voltage Ballast Control	Lutron	NTFTV	Dimmer	Wall	Dimmer
11	7-Day Electronic Astronomic Time Switch	Intermatic	ET8015C	110-277 VAC	External	Indoor & Outdoor

- Ballast dimming current load is 1.5ma

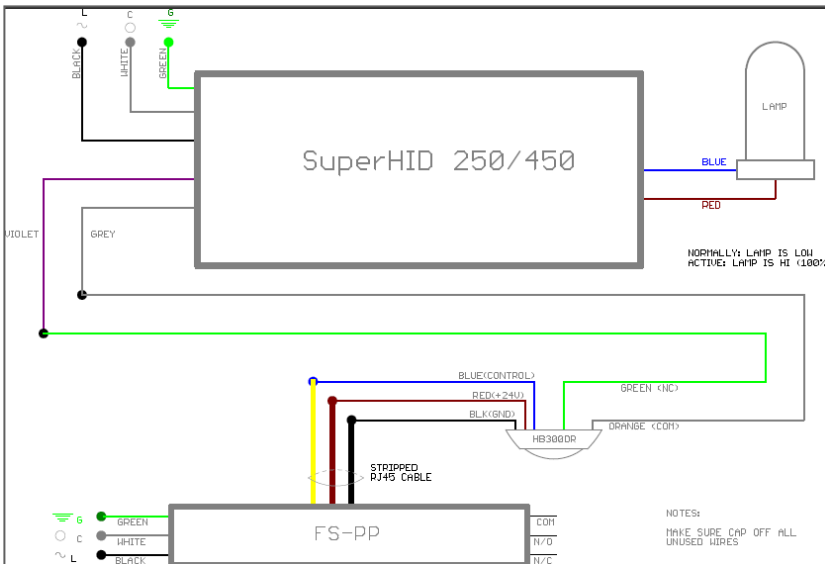
## ANALOG DIMMERS - MOUNTING DIAGRAMS



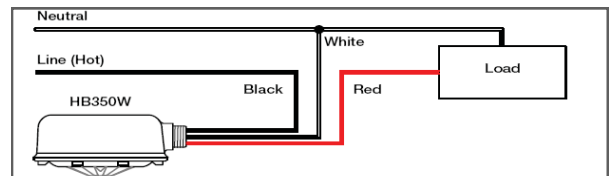
WattStopper Occupancy Sensor



WattStopper Daylight Control Sensor



WattStopper Occupancy Sensor

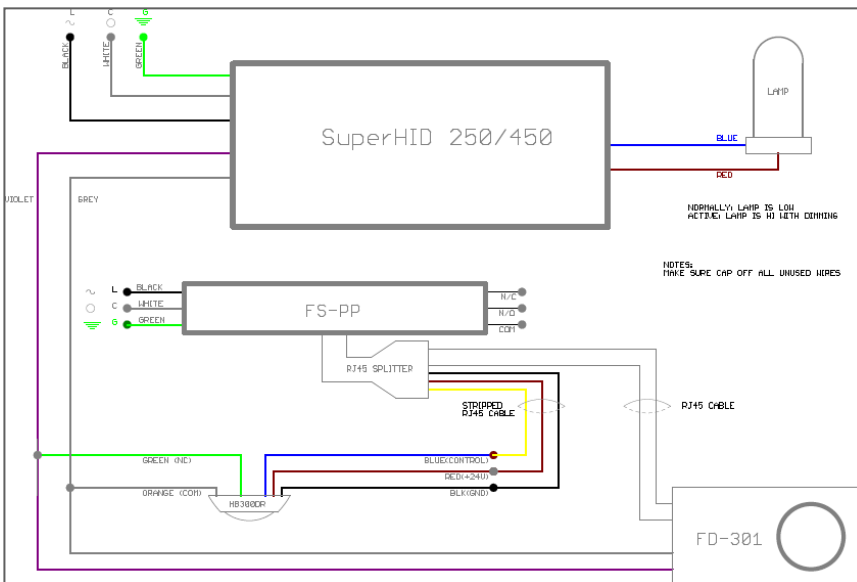


### Watt Stopper Sensor Ordering Information

Catalog #	Description
HB350W	208/277 VAC sensor module
HBL2W	Wet location 360° lens, 48" diameter coverage from 8' height.
HBL3W	Wet location 360° lens, 40" diameter coverage from 20' height.
HBL4W	Wet location 360° lens, 60" diameter coverage from 40' height.

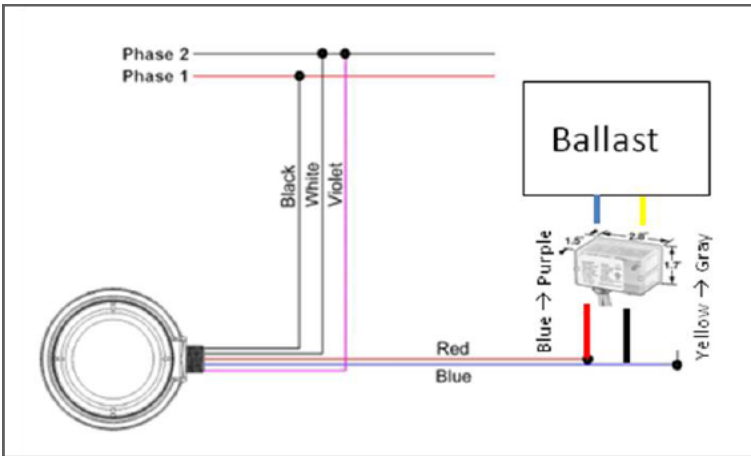
DIP switch #10 need to be set to ON position ↑

WattStopper Passive IR Occupancy Sensor

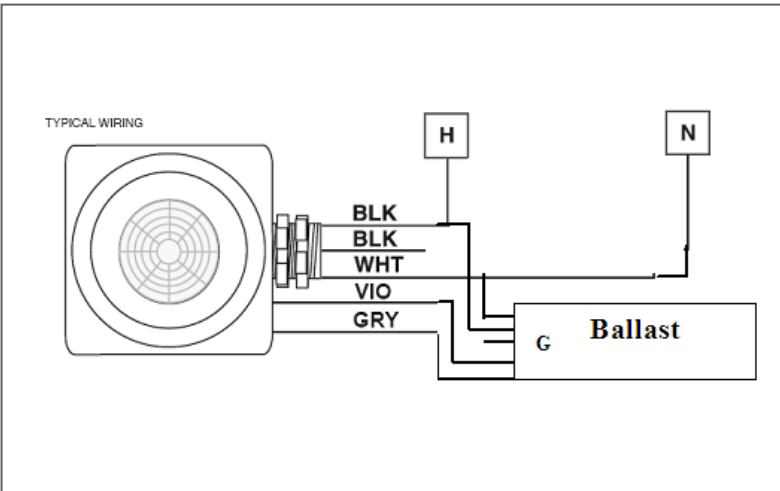


WattStopper Occupancy Sensor and Daylight Control Sensor

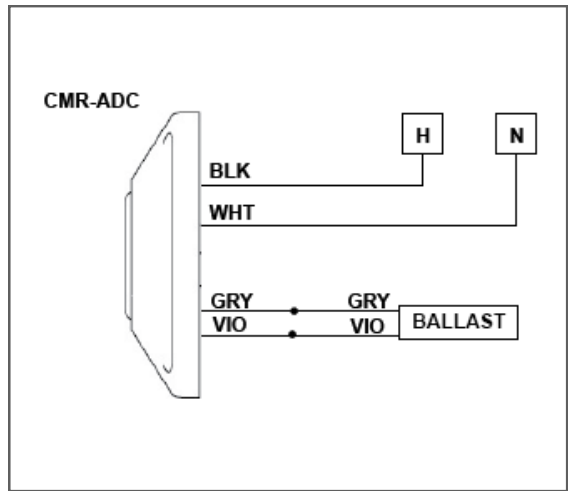
**ANALOG DIMMERS - MOUNTING DIAGRAMS**



**Hubbell HBWASP2**



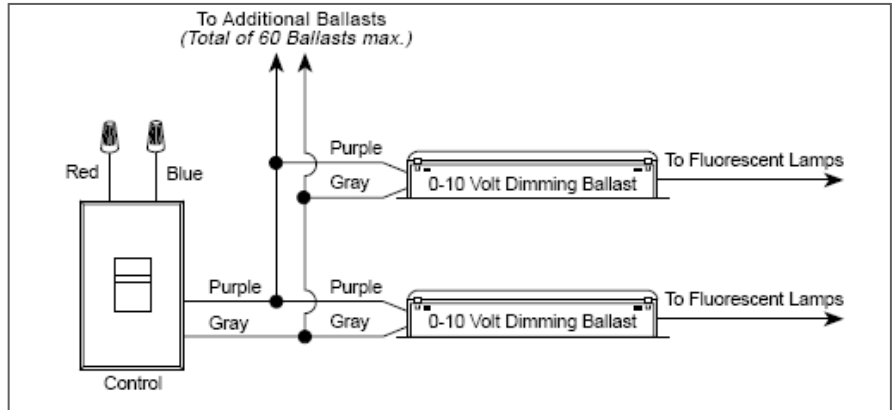
**SensorSwitch Occupancy Sensor**



**SensorSwitch Daylight Control Sensor**



**7 Day Electronic Astronomic Time Switch**



**Low-Voltage Ballast Control**

## STEP DOWN TRANSFORMERS

### GE

GE ProLine GETR 480/277-250W, GETR 480/277-375W

#### Features

- Non isolated transformer
- Input voltage: 480 Vrms, 60Hz
- Output voltage: 277 Vrms, 60Hz
- Max Power: 250W / 375W
- Max Case temperature: 105°C
- Thermally protected
- UL listed



### GE

GE 9T58K7784 480V:277V

#### Features

- Isolated transformer
- Input voltage 480 Vrms, 60Hz
- Output voltage 277 Vrms, 60Hz
- Maximum power 750VA
- Class 180
- Temperature rise: 115°C
- UL listed



### Thomas Research Products

ATX Series 480V:277V-245, 480V:277V-460, 480V:277V-650

#### Features

- Non isolated transformer
- Input voltage: 480 Vrms, 60Hz
- Output voltage: 277 Vrms, 60Hz
- Max power: 245W / 460W / 650W
- Insulation rating 90°C Class A



### Toroid Tech

TC0600-0037

#### Features

- Isolated transformer
- Input voltage: 480 Vrms, 60Hz
- Output voltage: 277 Vrms, 60Hz
- Temperature rise for 450W: 53°C
- Temperature rise for 600W: 70°C
- Max Temperature: 130°C

