



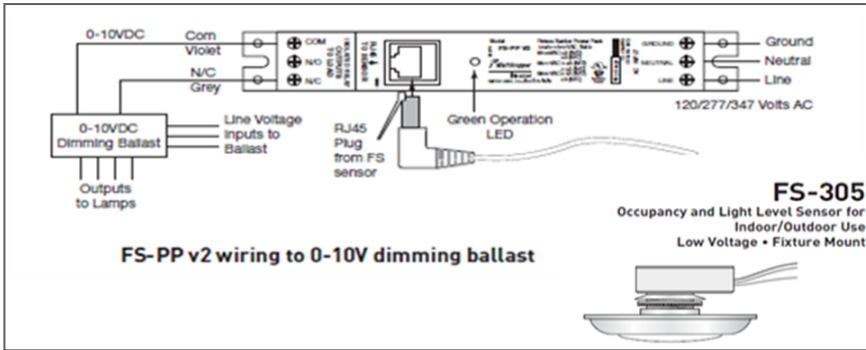
support documentation:
Approved Control Accessories

ANALOG DIMMERS - PRODUCTS

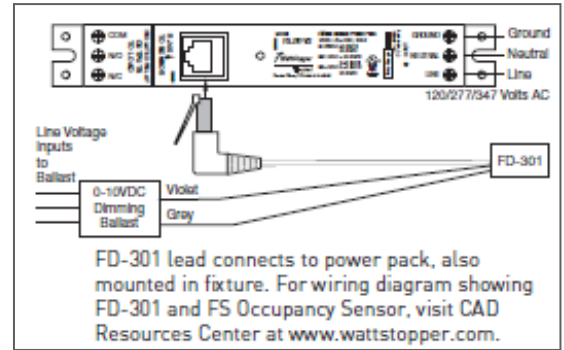
No.	Category	Company	Product Name	Voltage	Mounting	Application
1	Occupancy Sensor	WattStopper	FS-3x5 plus the FS-PP Fixture Power Pack and FS-C1 RJ45 cable	120/277/347 VAC	Fixture Mount	Outdoor & Wet Locations
2	Occupancy Sensor	WattStopper	HB 300DR plus the FS-PP Fixture Power Pack and FS-C2 stripped RJ45 cable	120/277/347 VAC	Fixture Mount	Indoor
3	Daylight Control Sensor	WattStopper	FD-301 pls the FS-PP Fixture Power Pack and FS-C1 RJ45 cable	120/277/347 VAC	Fixture Mount	Indoor
4	Passive Infrared Occupancy Sensor	WattStopper & McMaster-Carr Relay	HB 350W Plus HB L3W Lanes & 4766T12 relay	208-277 VAC	Fixture Mount	Outdoor & Wet Locations
5	Occupancy Sensor	SensorSwitch	CMR B9-D Mounting below 15ft CMR B6-D Mounting above 15ft	Line Voltage	Fixture Mount	Indoor
6	Occupancy Sensor	SensorSwitch	CMR 9-D Mounting below 15ft CMR 6-D Mounting above 15ft	Line Voltage	Ceiling Mount	Indoor
7	Daylight Control Sensor	SensorSwitch	CMR B-ADC	Line Voltage	Fixture Mount	Indoor
8	Daylight Control Sensor	SensorSwitch	CMR-ADC	Line Voltage	Ceiling Mount	Indoor
9	Occupancy Sensors & Daylight Control Sensor	Hubbell	HBAWASP2 & RIB RIBHIC-N4	208-277V	Fixture Mount	Outdoor & Wet Locations
10	Low-Voltage Ballast Control	Lutron	NTFTV	Dimmer	Wall	Dimmer
11	7-Day Electronic Astronomic Time Switch	Intermatic	ET8015C	110-277 VAC	External	Indoor & Outdoor

- Ballast dimming current load is 1.5ma

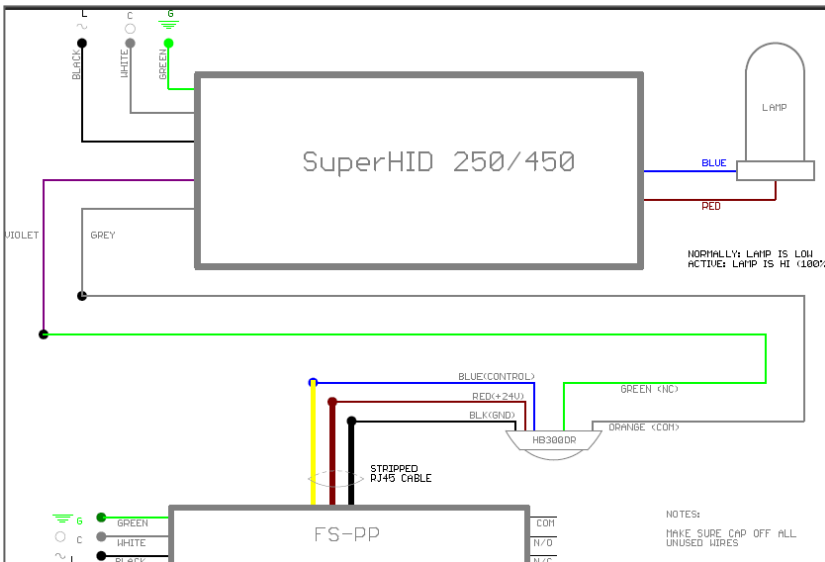
ANALOG DIMMERS - MOUNTING DIAGRAMS



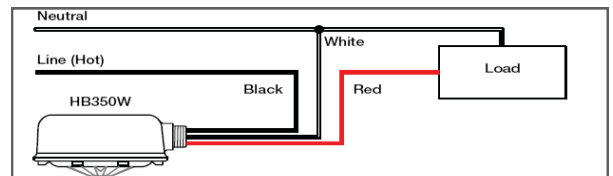
WattStopper Occupancy Sensor



WattStopper Daylight Control Sensor



WattStopper Occupancy Sensor

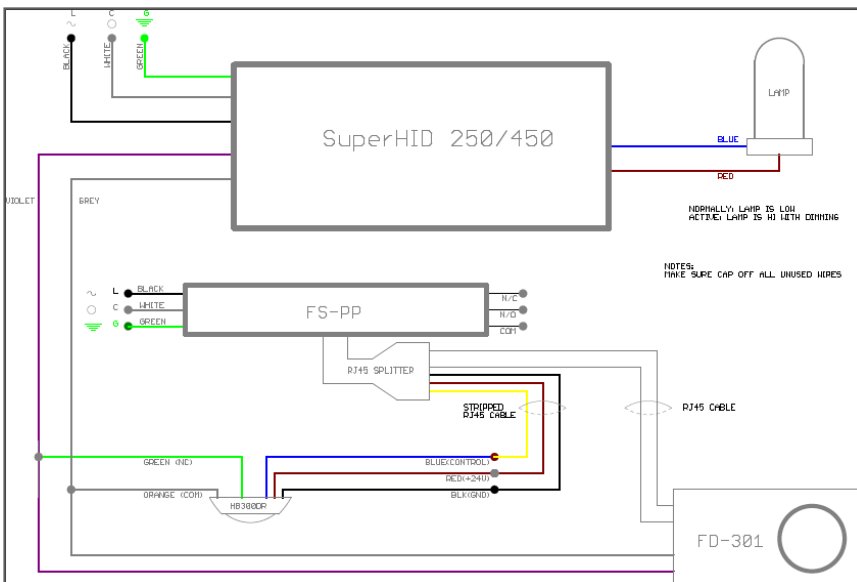


Watt Stopper Sensor Ordering Information

Catalog #	Description
HB350W	208/277 VAC sensor module
HBL2W	Wet location 360° lens, 48" diameter coverage from 8' height.
HBL3W	Wet location 360° lens, 40" diameter coverage from 20' height.
HBL4W	Wet location 360° lens, 60" diameter coverage from 40' height.

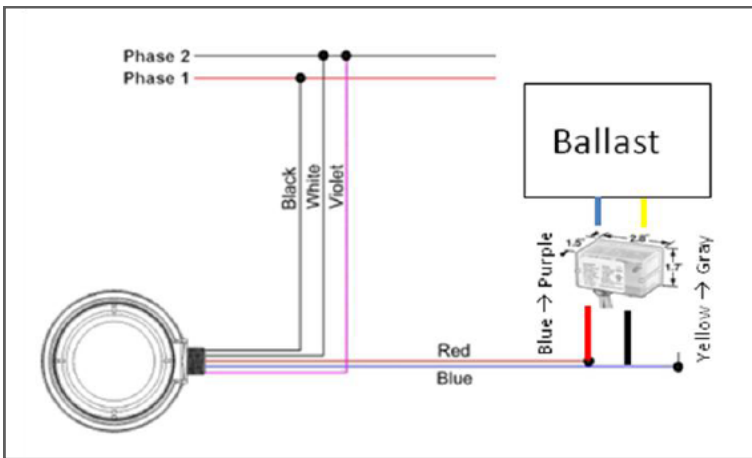
DIP switch #10 need to be set to ON position ↑

WattStopper Passive IR Occupancy Sensor

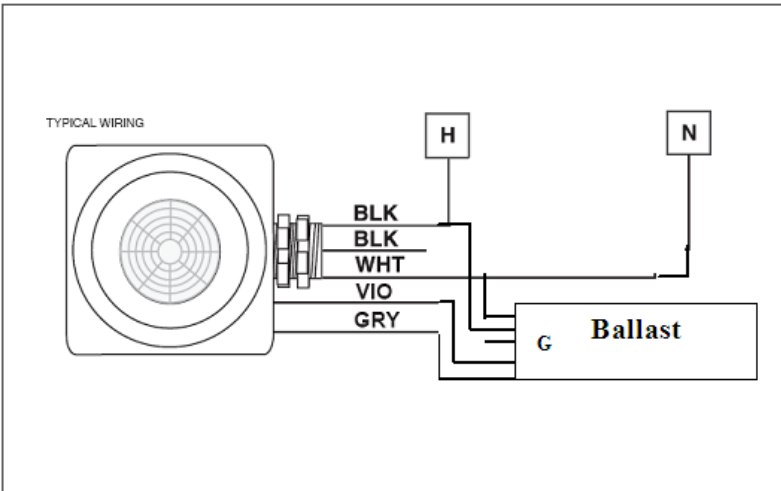


WattStopper Occupancy Sensor and Daylight Control Sensor

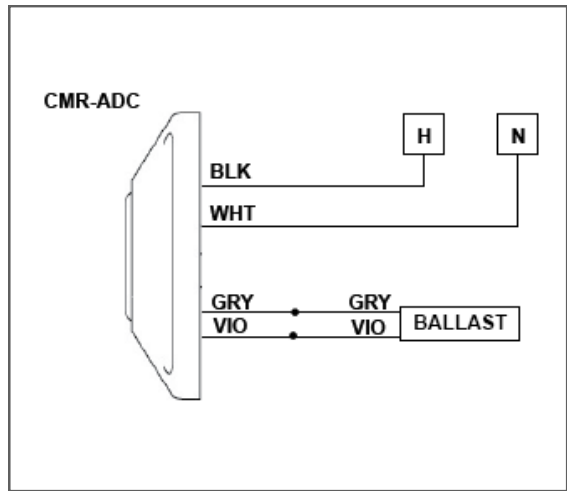
ANALOG DIMMERS - MOUNTING DIAGRAMS



Hubbell HBWASP2



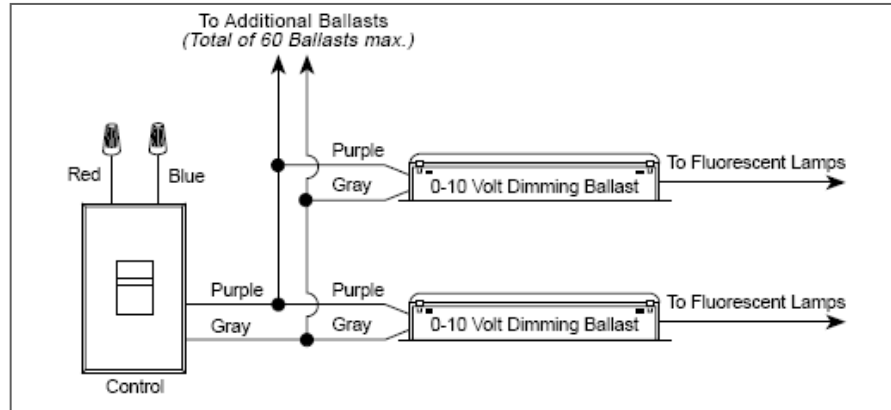
SensorSwitch Occupancy Sensor



SensorSwitch Daylight Control Sensor



7 Day Electronic Astronomic Time Switch



Low-Voltage Ballast Control

ANALOG DIMMERS - STEP DOWN TRANSFORMERS



GE

480V: 277V Step Down Autotransformers for application up to 375W

Features

- Non-Isolated Autotransformer
- Input Voltage 480 Vrms, 60 Hz
- Full Load Output Voltage 277 Vrms, 60 Hz
- Maximum Power 250W (VA) or 375 W (VA)
- Max Case Temp 105 C
- Thermal Protected
- Sound Rated A
- UL Listed –Does not require continuous updates to fixture UL files as opposed to UL Recognized transformers
- Easy solution for retrofitting 480V applications with any electronic ballast up to 375 watts.



Thomas Research Products

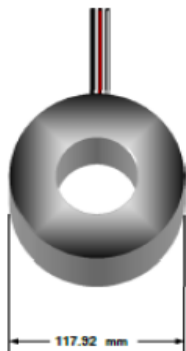
480V: 277V ATX Series Step Down Autotransformers for Lighting Applications

Features

- Input Voltage: 480V, 60 Hz
- Output Voltage: 277V, 60 Hz
- Insulation Rating: 90°C Class A
- KVA – 245W, 460W & 650W

Toroid

480V: 277V Step down autotransformers for applications up to 450W ballasts



Features

- Input Voltage: 480V, 60 Hz
- Output Voltage: 277V, 60 Hz
- Power 600V
- Primary VA 634.41V

ANALOG DIMMERS - CONTROL CABLE

Connect Air Plenum Cable
95920.86.07
W181P-2040BLRB

Cat#: ApprovedControlAccSD Rev: 22 June 11