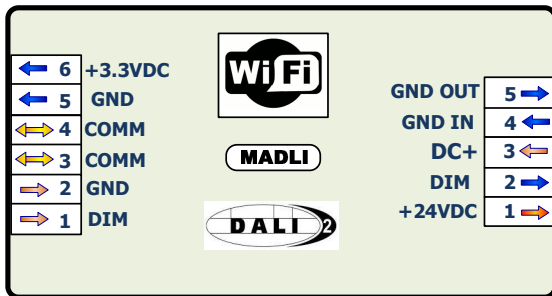


Metrolight LitoCom™ LED Driver Communication Interface



Overview

Metrolight's "LitoCom" is a smart Interface built to add remote control and monitoring capabilities to any LED lighting driver, be it as a retrofit of existing luminaires or an add-on to existing LED lighting product lines, without any additional change.

It is available in wired or wireless (sub-giga RF or WIFI) configurations and priced at unprecedented low prices compared to products with inferior functionality in these categories.

Metrolight provides the network management software for each of the communication methods – wire, wireless, RF, and WIFI, including end-point discovery, registration and transmission protocols. There are a number of third-party back office control and monitoring systems that are interfaced to this infrastructure offering customers best of breed selection to answer their needs.

With its auxiliary power output and additional communication ports, the LitoCom is built for the IoT (internet of things) world, allowing additional sensors to be served by its power supply and communication infrastructure.

Benefits

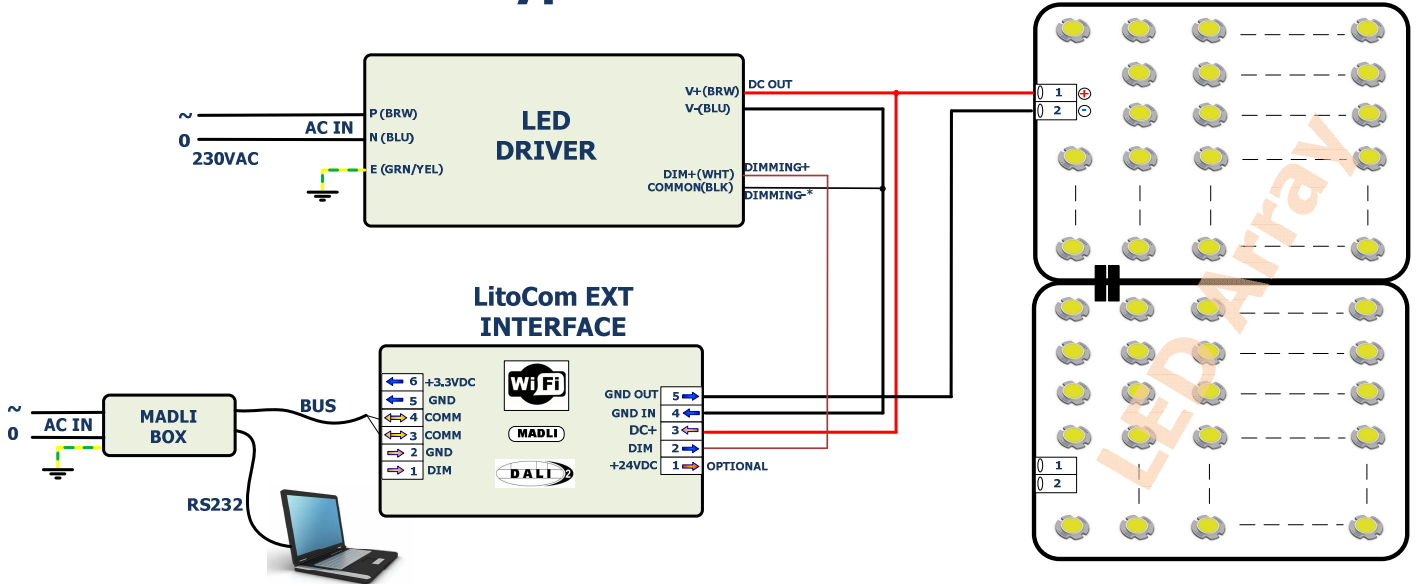
- Automatically detects DALI ED.1 or ED. 2
- Operating range from 40VDC to 200VDC
- Connects also with MADLI (Metrolight Addressable Digital Interface) communication interface
- Can be connected to ANY LED Driver, with standard analog dimming port.
- Provides ON/OFF, CUT OFF, DIMMING controls, Output Readings, and accumulated energy consumption
- Auxiliary 24VDC
- Can be connected to Wireless Antenna or Wired communication
- Small size and low cost
- No extra power required
- Suitable for LED Indoor and outdoor lighting applications
- Simple retrofitting of existing luminaires – Mostly rerouting wires
- 5 years warranty
- RoHS

Operating Specifications

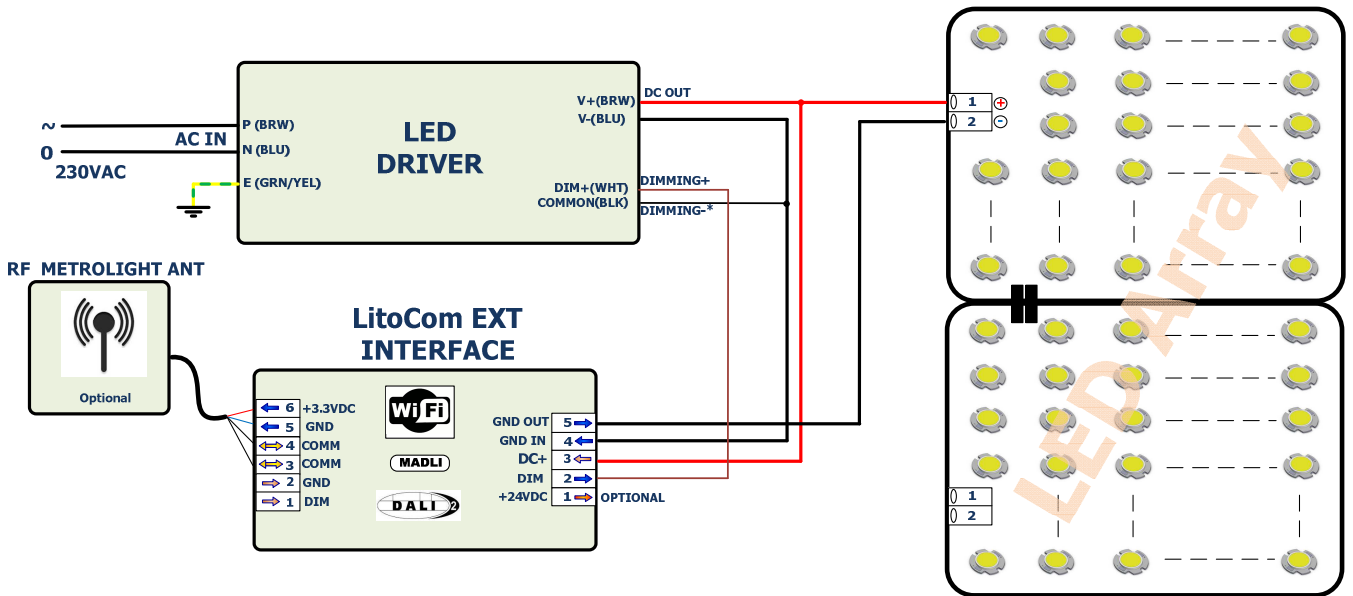
Parameter description		LitoCom EXT
OUTPUT	Output PWM Range	0-100%
	Output Voltage	40-200VDC
	Output MAX Current	5A
	AUX voltage	24VDC +/-5% 200mA
INPUT	Input Voltage Range	40-200VDC
	In put Current	5A
	Efficiency	99%
Features	Comm Interface	Auto detects DALI 1 or 2 (IEC 62386-101:2014) MADLI METROLIGHT RF Antenna
	PWM dimming control	<i>(optional)</i>
	Control	ON / OFF CUT OFF Linear Dimming (requires analog dimming 0-10V on LED Driver)
ENVIRONMENT	Operating Temp.	-40-60°C
	Operating Humidity	95% RH
	Storage Temp	-40-85°C
RELIABILITY	MTBF	>500Khours @ 25°C
	Lifetime	The life time shall be at least 10 years at 40°C (t yp. 12HRS per day) at full load and nominal input condition.
SAFETY & EMC	Safety Standards	UL8750, EN61347-1/A2:2013, EN61347-2-13: 2006, IEC61347-1, IEC61347-2-13
	EMC Emission	Compliance to EN55015 (CISPR15), EN61000-3-2, EN61000-3-3
	EMC Immunity	Compliance to EN61547; EN55042, EN61000-4-2,3,4,5,6,8,11
MECHANICAL	Dimensions	34 x 74 x 15mm
	Weight	130±50g
	Packaging	8pcs/1Kg

Typical Luminaire connection schemes

LITOCOM EXT Typical Connection



*Optional Connection and not required if DIMMING- is internally connected to V-



*Optional Connection and not required if DIMMING- is internally connected to V-