

LED Multichannel Controller

Overview

Metrolight's LED multichannel converter is used with Metrolight's LED drivers to power multiple LED arrays or multiple LED fixtures.

The converter supports independent channels and offers the following main features:

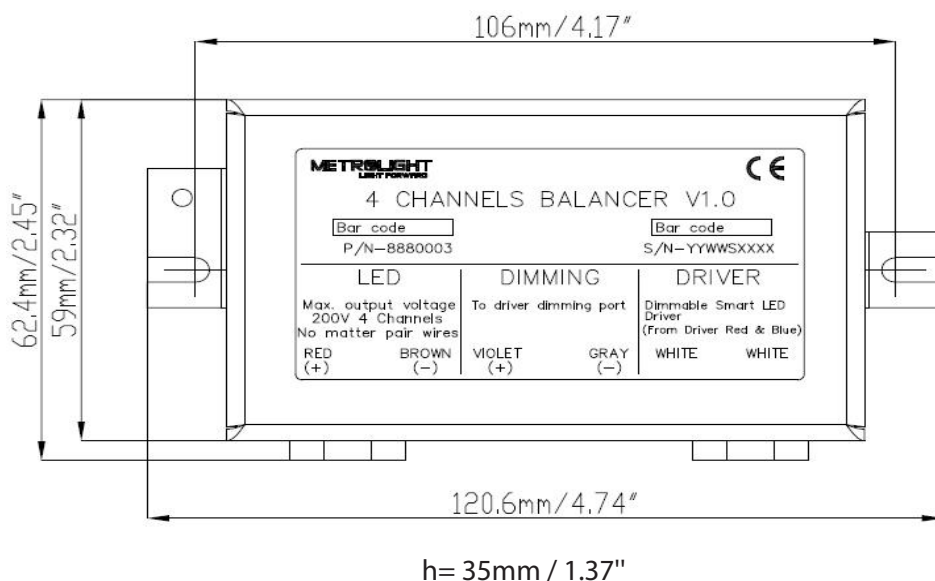
- Up to 4 individual channels
- Accurate balancing of each channel's current
- LED failure protection: automatic balancing of remaining channels
- Disconnection of any channel automatically reduces the current and balances the remaining channels



Output Specifications

General Specifications	
DC Voltage Range	24-200V
Max. Output Current	4A (1A per channel)
Voltage Protection Cut Off	220V
LED Disconnection	Fully Protected
LED Short Circuit	Fully Protected
Thermal protection	Fully Protected
Operating temperature range	-30°C to +65°C / -22°F to 149°F
Operating humidity	0 to 95% RH non-condensing
Maximum case temperature (Tc)*	85°C / 185°F at test point

* Must be mounted on a metal surface to allow proper heat dissipation.



Connection Diagram

