

# Smart Floodlight LED Fixture



## Introduction

Metrolight introduces high wattage, Floodlight LED fixture that offers dramatic energy savings while offering high quality lighting for commercial or residential signs, entry monuments or facades. Powered by Metrolight's LED driver technology and digital control, our energy-efficient LED solution also supports demand-response programs offered by utilities. Our digital wireless control system utilizes on-line two-way communication that enables customers to control light points separately or as groups and receive valuable input parameters such as fixture status, dimming mode and power consumption.



## Key Features of the LED Fixture\*

- Dramatic energy savings of up to 70%
- up to 250W fully programmable LED fixture
- Lumen output at 250W: 25,000 lumens
- Metrolight's LED driver technology
- Stable wide dimming range 100%-10%\*\*
- On-board SmartDIM™ auto dimming profile
- Optimized heat dissipation
- Extended LED life > 60,000 hrs.
- Selection of photometrics and color temperature
- Elegant & attractive design

## Control Features & Benefits

- Optimized energy savings
- Demand response ready
- Automatic scheduling
- Intuitive, user friendly GUI
- Smart grid compatibility
- Auto dimming profile
- Control light points separately/as groups
- Detailed fixture operating parameters
- Reduce maintenance costs
- Internet accessible

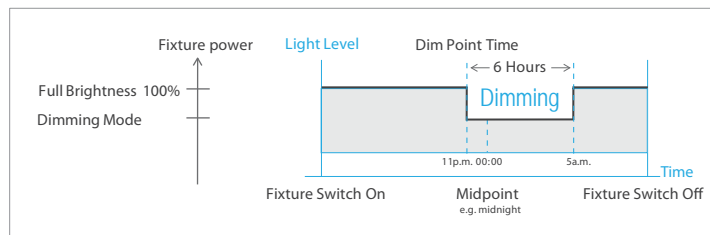
\*available for beta installations at selected sites

\*\* minimum 40W

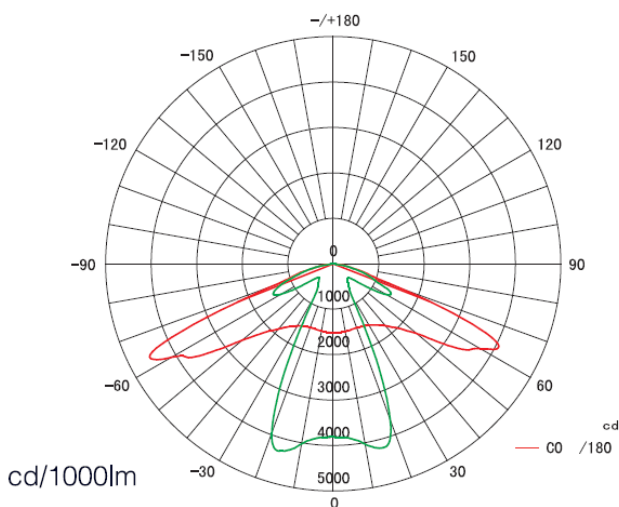
## SmartDim™ : Auto Dimming Profile

SmartDim™ is an automatic dimming capability of Metrolight's SmartHID™ electronic ballasts that eliminates the need for any type of costly communication system or additional devices to control the dimming process.

SmartDIM™ calculates the midpoint (the center time point between the time the lamp is turned on and the time the lamp is turned off) and dims the lamp one hour prior to the midpoint.



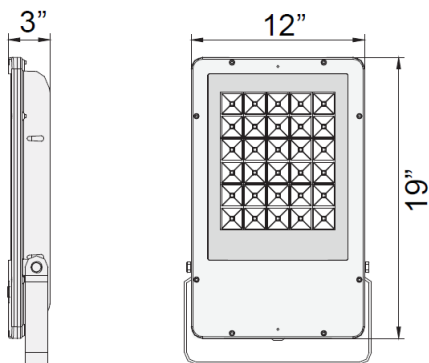
## Photometry



- High light distribution uniformity
- Lens material optical grade PMMA with high UV and temperature resistance
- Additional photometry available upon request

## Fixture characteristics

- **Housing:** Low profile die cast housing with integral heat sink and driver compartment. Textured powder coat finish over a chromate conversion coating.
- **Sealing lens:** Clear tempered glass lens



### About Metrolight

Metrolight provides proven energy-efficient eHID and LED solutions for high-power lighting. Metrolight's ballasts, drivers and managed lighting solutions are used in retail, industrial, commercial and municipal installations to reduce energy consumption and carbon emission by 70%. Pioneering lighting energy solutions since 1996, Metrolight operates worldwide with over 800,000 systems deployed and over 8 billion hours in operation. For more information, please visit our website at: [www.metrolight.com](http://www.metrolight.com)